

i-SLM - Smart lighting Series

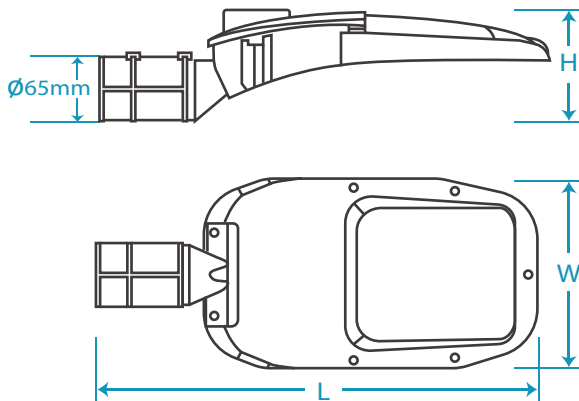
Smart LED street lighting, i-SLM Series is a cost-effective and sustainable choice for cities today – and into the future. The entire system is efficient and simple to manage, maintain and monitor.



Smart Controller

NexusLED Street Light Management Solution enables our customers to monitor and manage LED street lights on a single multi-purpose network

- AC Input:** 100 ~ 240Vac
- Surge Protection Device (SPD):** 20kA
- Colour Temperature:** 3000K (available 4000K, 5700K)
- Colour Rendering Index (CRI):** >70
- Beam Angle:** 45° x 155°
- Operating Temperature:** -30°C ~ +50°C
- Storage Temperature:** -20°C ~ +80°C
- Lifetime (typical):** 50,000 hours at ta 25°C
- Electrical Safety:** Class I
- LED Driver Compliant:** IEC, CE, SIRIM, JKR
- Heatsink material:** Aluminium Casting
- Luminaire Cover Material:** Clear Tempered Glass
- IP Rating:** IP66



Features

- NEMA ready
- Suitable with IoT

Benefits

- Energy savings, reduce energy costs
- Low maintenance costs
- High system efficacy with lower power consumption
- Easy and quick installation

Application areas



Details	Model	i-SLM-060-FPN7	i-SLM-090-FPN7	i-SLM-120-FPN7	i-SLM-150-FPN7	i-SLM-180-FPN7	i-SLM210-FPN7
System Power		60W ± 5%	90W ± 5%	120W ± 5%	150W ± 5%	180W ± 5%	210W ± 5%
Initial Lumens		8,010 lm	11,220 lm	13,880 lm	16,630 lm	21,030 lm	23,870 lm
Luminous Efficacy		>120 lm/W	>120 lm/W	>120 lm/W	>110 lm/W	>110 lm/W	>110 lm/W
Size (L x W x H)(mm)		526 x 240 x 160	526 x 240 x 160	622 x 292 x 122	700 x 305 x 178	700 x 305 x 178	700 x 305 x 178
Weight		4.5kg	7.5kg	7.5kg	10.5kg	10.5k	10.5kg
Photometry							